

## Conversion set for flat antenna BAS 60 / BAS 61

### - Modification instructions -

#### Important notice!

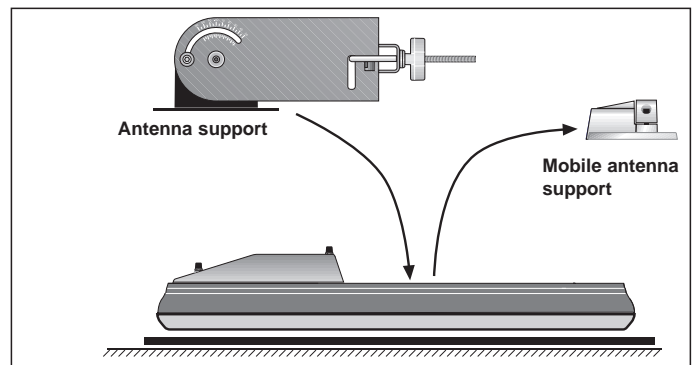
The conversion set for BAS 60/BAS 61 enables you to convert your mobile flat antenna to a stationary antenna. The use determination (purpose) of your antenna will also change. After the modification has been effected, the antennas are identical with the flat antennas BAS 62 or BAS 63. These are flat antennas for stationary use. The instructions for the „Conversion set“ are complemented by the 12-page brochure „Mounting instructions“ supplied together with the flat antennas BAS 62/BAS 63.

The mounting instructions contain important information regarding the stationary use, the installation, the mounting site and the safety of your flat antenna. It is absolutely necessary that you pay attention to these instructions.

Do not separate the modification instructions from the mounting instructions. In case you sell the antenna, both instructions should be handed over to the new owner.

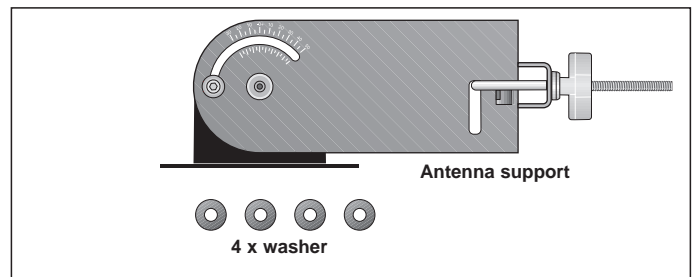
#### Purpose

The conversion set must only be used for the modification of the flat antennas BAS 60 and BAS 61. The conversion set changes the flat antenna BAS 60 to a BAS 62 and the flat antenna BAS 61 to a BAS 63 (see opposite illustration). After the modification, the mobile antennas BAS 60/BAS 61 are stationary antennas BAS 62/BAS 63.



#### Scope of the supply

The conversion set is composed of the preassembled antenna support and 4 washers (see illustration opposite). The modification instructions and the 12-page mounting instructions „Flat antennas for stationary use, BAS 62 and BAS 63“ are in the scope of supply of the conversion set.



#### Safety instructions

These instructions for the conversion of your antenna assume that you have the skill and knowledge required for a correct modification. If you do not have the needed qualities, ask a specialist to do the job for you.

The modification work on the roof of your caravan, mobile home or truck can create problems for your safety and life. Kathrein does not assume any responsibility for damages to people and goods.

Park the vehicle in a safe place where you are not exposed to dangers (e.g. from motor cars passing by) in order to carry out the conversion work.

Switch off the ignition and pull the handbrake. Only step on the roof of the vehicle after having secured the working place.

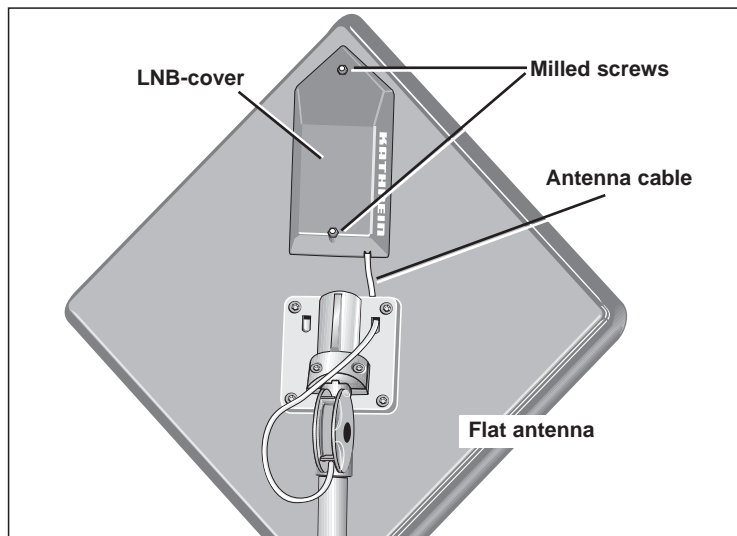
Ladders or other climbing aids must be in perfect condition. Wear non-slip shoes.

## Conversion

### 1. Unscrewing the cable from the LNB

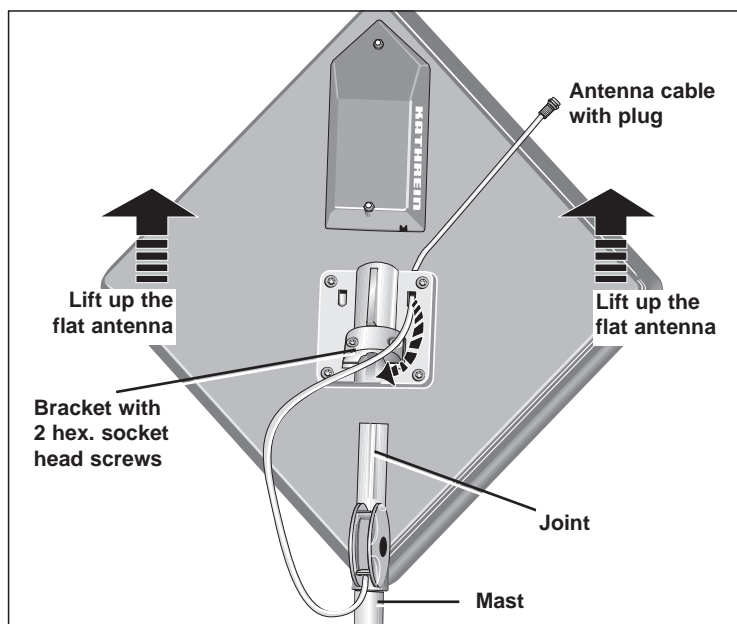
The LNB of the flat antenna BAS 61 has two outputs. The LNB of the flat antenna BAS 60 has only one antenna output.

- Loosen the two milled screws of the LNB cover. Remove the cover and place it within reach.
- Unscrew the cable from the LNB and pull it out of the cable support on the LNB.
- Then screw the LNB cover again to the flat antenna. This will protect the LNB during the transport of the flat antenna.



### 2. Removal of the flat antenna

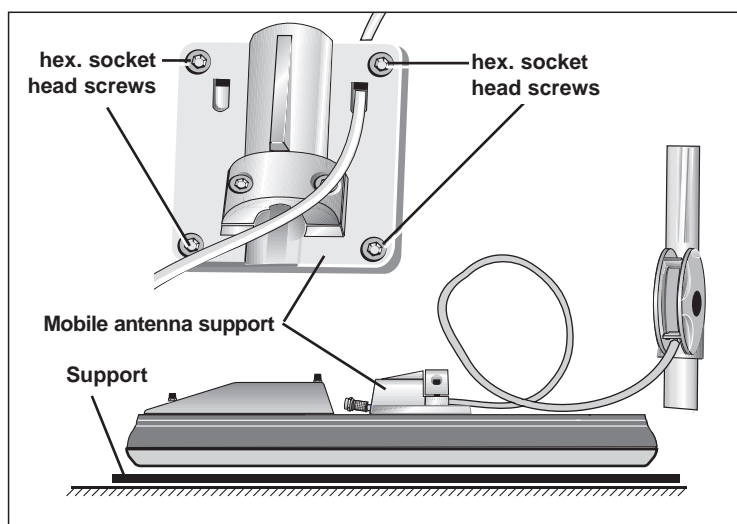
- Loosen the two hex. socket head screws of the mast bracket by means of an Allen key.
- Push the antenna cable somewhat backwards in order to be long enough for the removal of the flat antenna.
- Do not pull the cable through the mast into the interior of the vehicle. It is impossible to pull the cable out again.
- Use both hands to remove the antenna from the joint of the mast. Place the antenna with its back pointing upwards on a solid non-slip support.



### 3. Removal of the mobile antenna support

The mobile antenna support of the flat antenna is fastened on the back of the antenna with 4 hex. socket head screws.

- Unscrew the 4 hex. socket head screws from the mobile antenna support. Keep the screws in a safe place because they will be needed again for fastening the new antenna support.
- Now place the mobile antenna support on the joint of the mast and tighten the mast bracket with the aid of an Allen key.

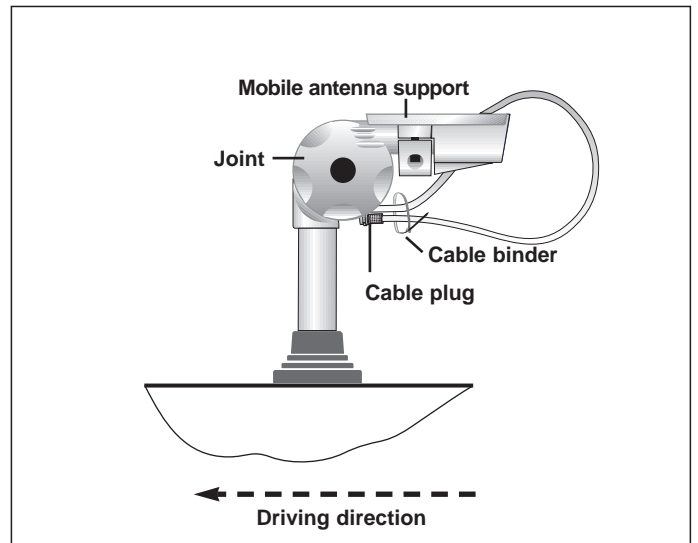


## 4. Driving without the mounted flat antenna

If you wish to drive with your vehicle without the flat antenna mounted, but the jointed mast still installed, you should protect the antenna as shown in opposite illustration.

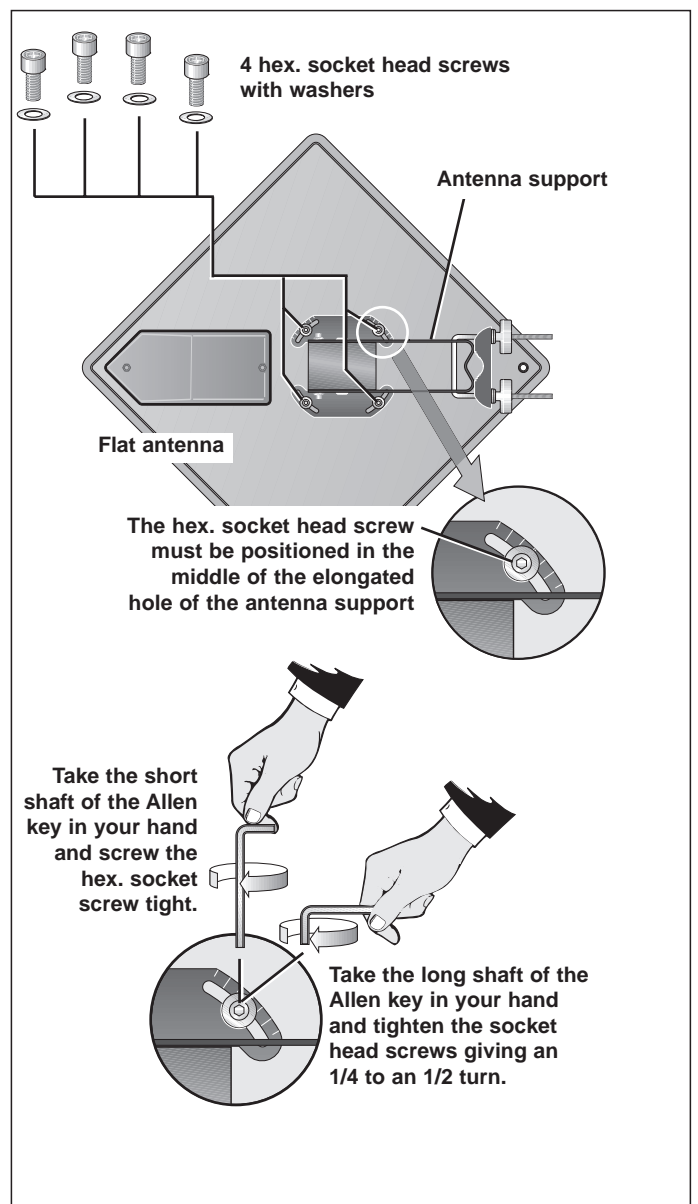
- Care for adequate insulation or sealing of the antenna plug. Protect the plug from moisture.
- Bend the antenna cable to the form of a loop and introduce the end of the cable into the joint of the mast until the plug has disappeared in the lower part of the joint.

Then check if the mobile antenna support is well fixed. If necessary, tighten the two socket head screws of the bracket.



## 5. Mounting the antenna support

- Place the flat antenna evenly on an appropriate support.
- Place the washers on the socket head screws and screw the antenna support to the back of the flat antenna (see opposite illustration). Use for that purpose the 4 socket head screws belonging to the mobile antenna support.
- Now screw in with your fingers the 4 socket head screws. Pay attention that they are not twisted and damage the thread.
- When positioning the antenna support, make sure that the socket head screws are positioned exactly in the middle of the elongated holes. Then take the short shaft of an Allen key in your hand and screw the socket head screws tight. See opposite illustration.
- Then tighten the socket head screws with a torque spanner. The torque moment is 6.5 Nm. If no torque spanner is available, the following method will do: Take the long shaft of the Allen key in your hand and tighten the socket head screws giving an 1/4 to an 1/2 turn.



## 6. Notice regarding the polarisation setting

The polarisation setting is dependent on the geographic reception site. The annexed mounting instructions „Flat antennas BAS 62 and BAS 63 for stationary use“ explain on page 4 how the polarisation is set.